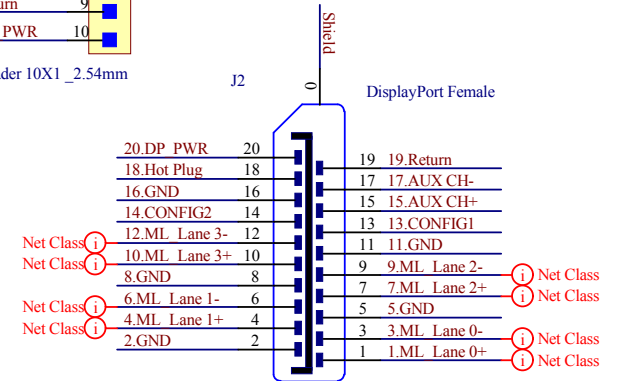
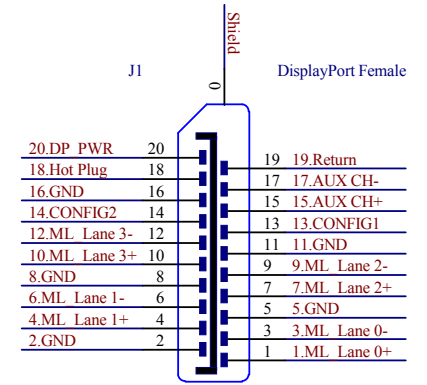
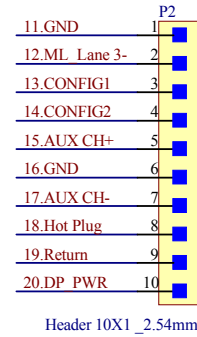
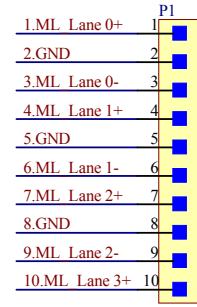
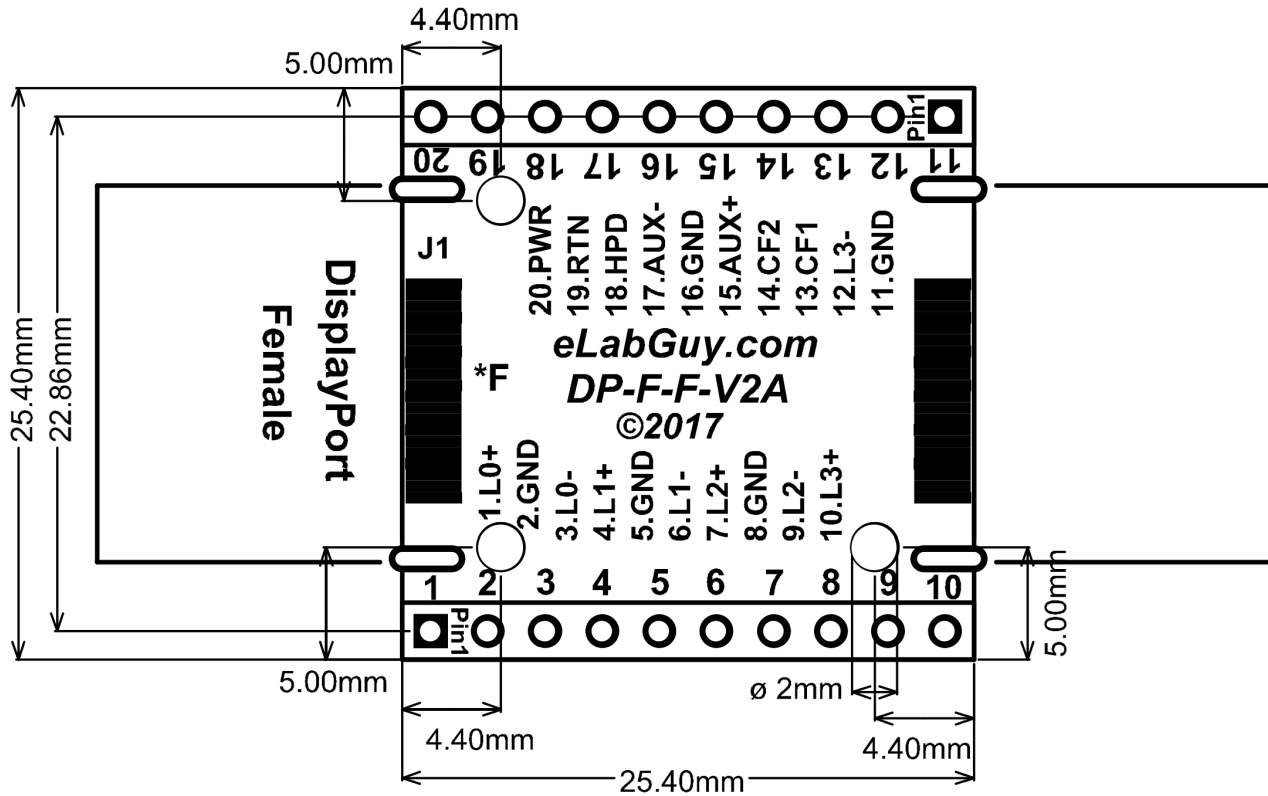


\* PCB 1.60mm THICKNESS



Title		
Displayport Female to Female Pass-Through		
Size	Number	Revision
A4	DP-F-F-V1B	1B
Date:	11/30/2017	Sheet of
File:	C:\Users\...DP-F-F-V1B Drawing.SchDoc	Drawn By: www.eLabGuy.com